

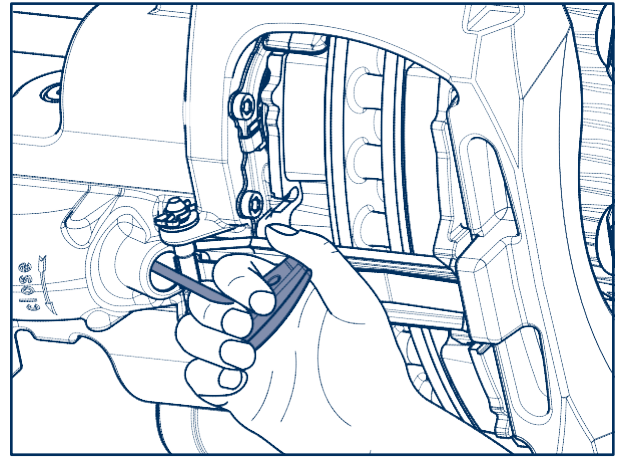
Setting play and checking adjustment on BPW TSB Caliper **ISSUE TB14-05**

Set play and check adjustment

1. Remove the plug.
2. Using a torx wrench (T25), depress the return spring and turn **clockwise** until it clicks 2 times.
3. Actuate the brake 5 to 10 times with a force of approximately 2 bar.
4. Push the sliding caliper in the axle direction. The play exhibited at this time must be between 0.7 and 1.3 mm.

Adjustment is correct if play is within this tolerance.

5. Reinsert the plug.



Check brake caliper guide:

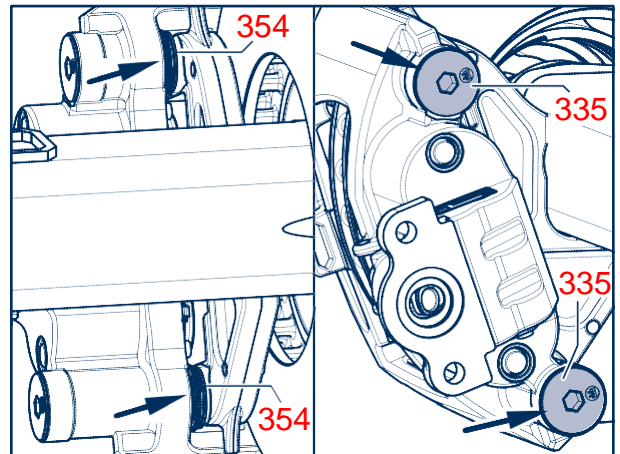
The brake caliper guide must be checked if the play has not been adjusted correctly.

Remove the brake pads. It must be possible to move the brake caliper slightly from stop to stop.

The guide bushings are sealed by the bellows (354) and the screw plug (335).

Inspect the bellows and screw plugs for cracks, damage, and proper seating and replace if necessary.

Screw plugs that have been removed must be replaced and not re-used.



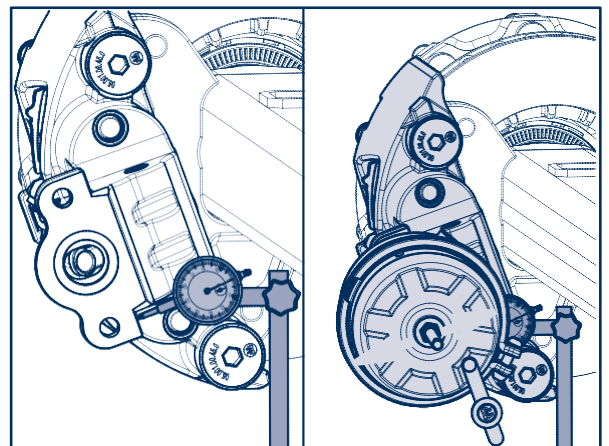
Check the brake caliper bearing play:

The bearing play of the brake caliper can be established using a dial gauge. Attach the dial gauge holder to the axle beam and position the gauge, facing the long locating bearing, on the lower edge of the cylinder flange.

Press the brake caliper vertically downwards and set the dial gauge to "zero".

Press the brake caliper upwards and read the bearing play on the dial gauge.

If a brake caliper bearing play exceeds 1.5 mm, the brake caliper bearing must be replaced.



PLEASE NOTE: Play can only be measured with a dial test indicator